

Recommendations for Pressure Washing Electric Actuators and Electrical Connectors

K2 VALVE®



EH Series Actuators

- Waterproof – rated NEMA 6P - prolonged submersion
- Meets IP 68 rating (waterproof – prolonged submersion)
- Ignition safe – rated NEMA 7D

IMPORTANT

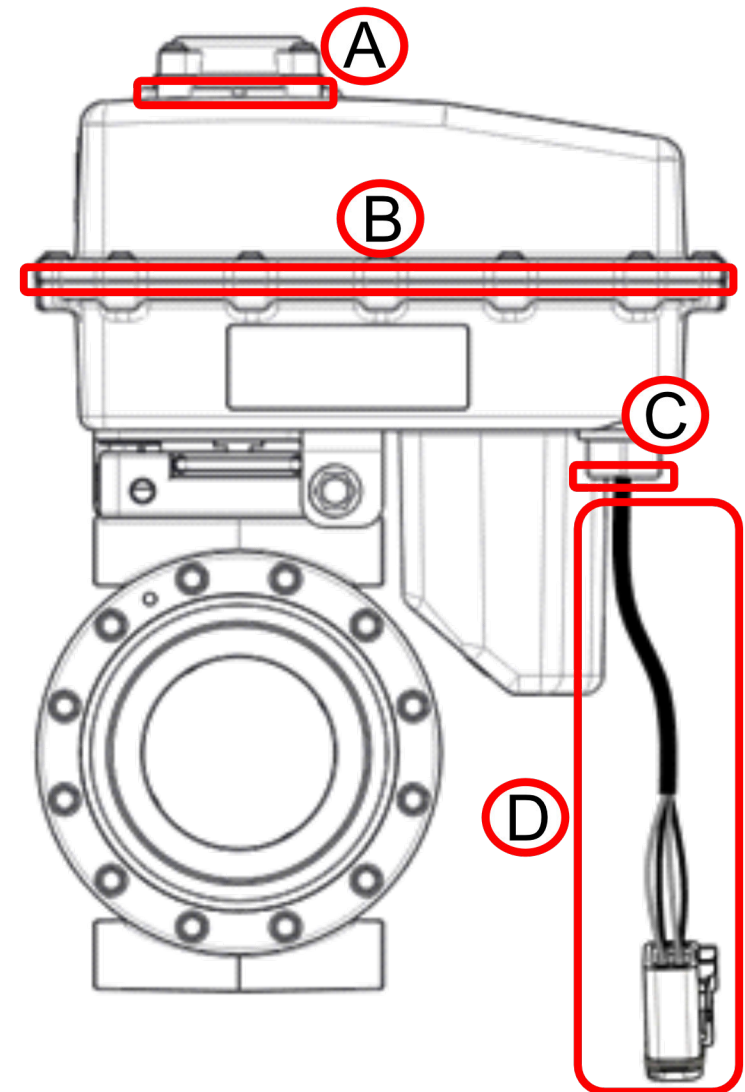
- Use caution when you pressure wash **KZValve EH Series** actuators.
- It is possible to force water into the actuator during pressure washing.



Pressure Washing

Recommendations

- Use caution when you pressure wash **KZ Valve EH Series** actuators.
- It is **IMPORTANT** to keep the pressure washing spray stream away from these areas :
 - A. DO NOT** focus the pressure washing spray stream on the connection point of the position indicator dome and upper actuator case.
 - B. DO NOT** focus the pressure washing spray stream on the seam between the upper actuator case and lower actuator case.
 - C. DO NOT** focus the pressure washing spray stream where the electrical cable enters the actuator case.
 - D. DO NOT** focus the pressure washing spray stream on the electrical cable or electrical connector.



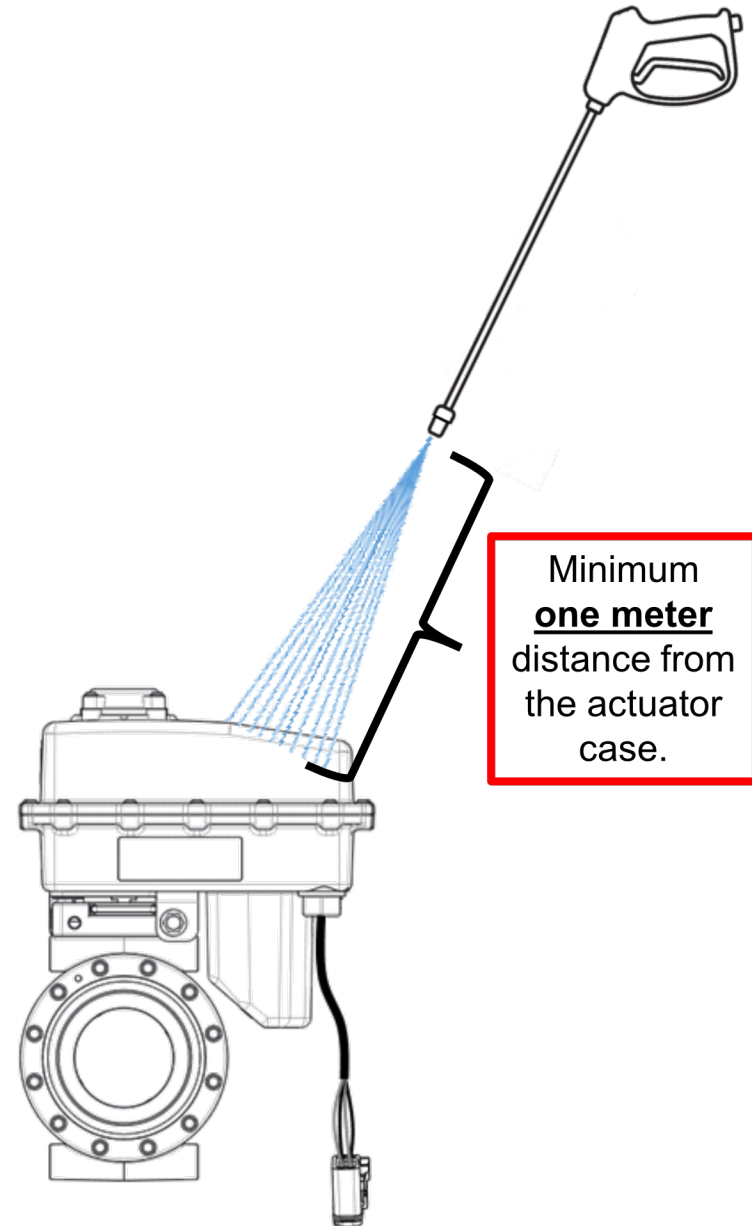
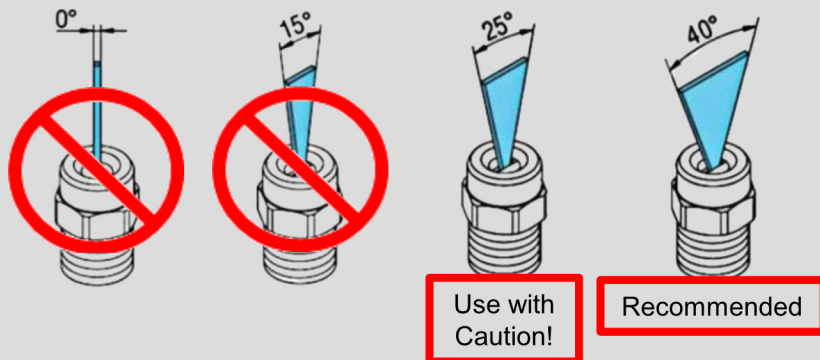
Pressure Washing

Recommendations

- Use caution when you pressure wash **KZ Valve EH Series** actuators.

IMPORTANT

- The actuator case is molded nylon. It is possible for high pressure water to break/cut through the actuator case.
- Keep the tip of the spray wand at least **one meter** from the actuator case.
- Spray tip selection:

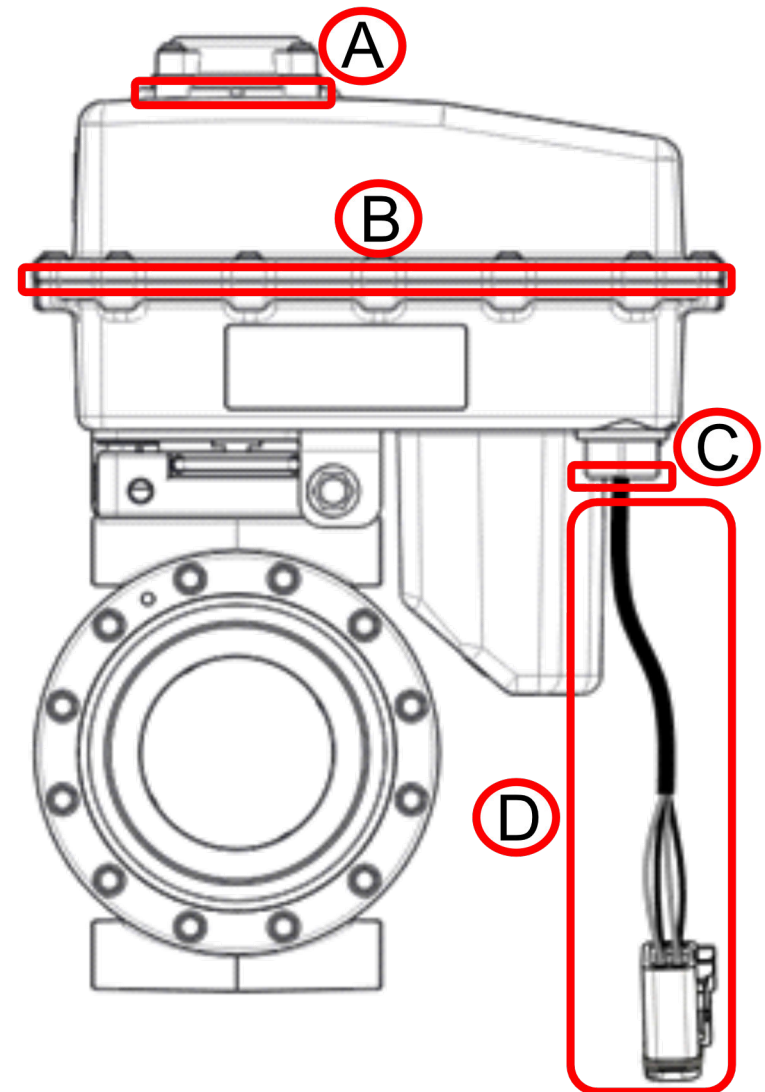


Pressure Washing

Areas to Avoid

EH2 Series Actuators

- Use caution when you pressure wash **KZ Valve EH2 Series** actuators.
- It is possible to force water into the actuator case or damage the electrical cable during pressure washing if the spray stream is focused on the following areas:
 - A. Connection point of the position indicator dome and upper actuator case.
 - B. Seam between the upper actuator case and lower actuator case.
 - C. Where the electrical cable enters the actuator case.
 - D. Electrical cable or electrical connector.

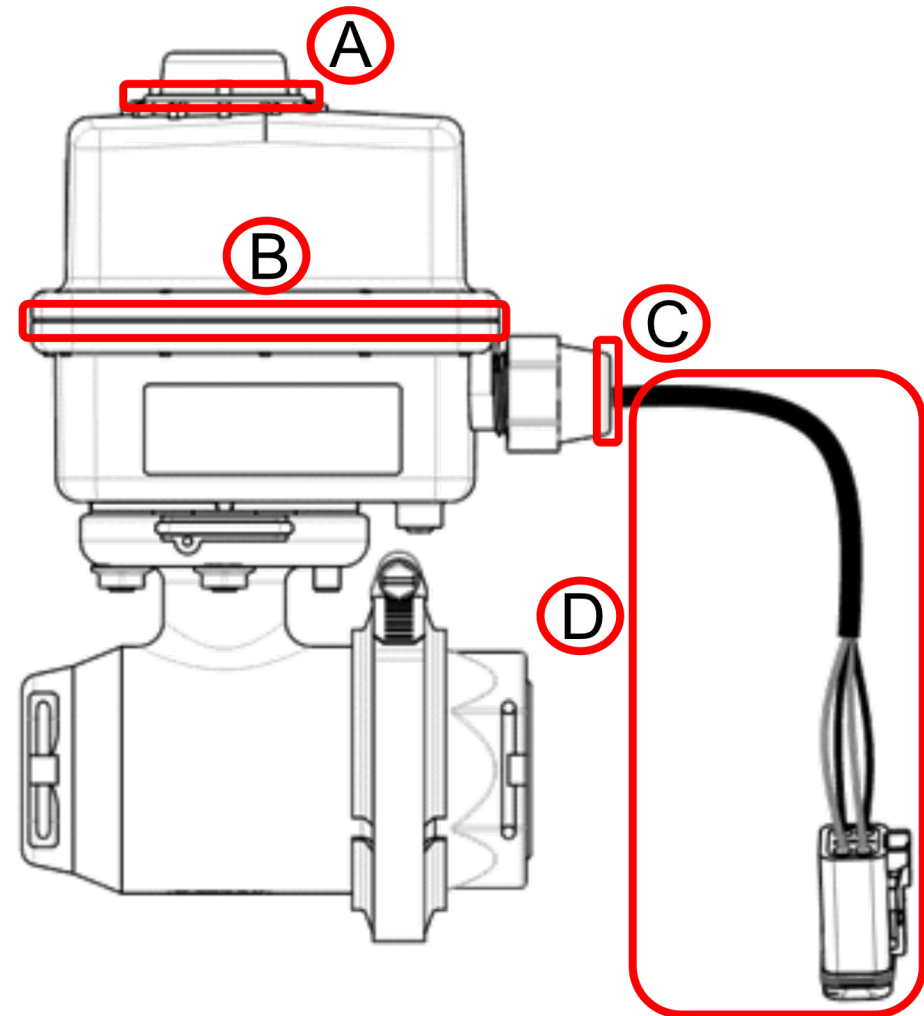


Pressure Washing

Areas to Avoid

EH3 Series Actuators

- Use caution when you pressure wash **KZValve EH3 Series** actuators.
- It is possible to force water into the actuator case or damage the electrical cable during pressure washing if the spray stream is focused on the following areas:
 - A. Connection point of the position indicator dome and upper actuator case.
 - B. Seam between the upper actuator case and lower actuator case.
 - C. Where the electrical cable enters the actuator case.
 - D. Electrical cable or electrical connector.

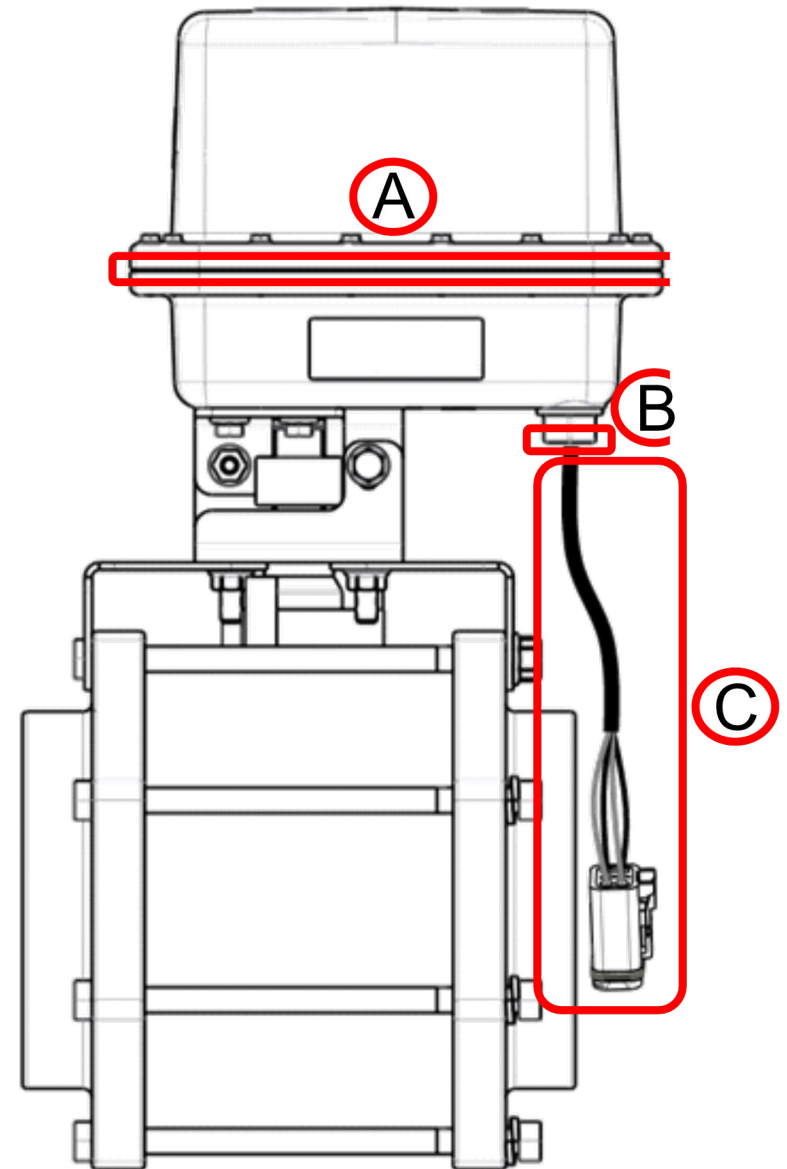


Pressure Washing

Areas to Avoid

EH5 Series Actuators

- Use caution when you pressure wash **KZValve EH5 Series** actuators.
- It is possible to force water into the actuator case or damage the electrical cable during pressure washing if the spray stream is focused on the following areas:
 - A. Seam between the upper actuator case and lower actuator case.
 - B. Where the electrical cable enters the actuator case.
 - C. Electrical cable or electrical connector.

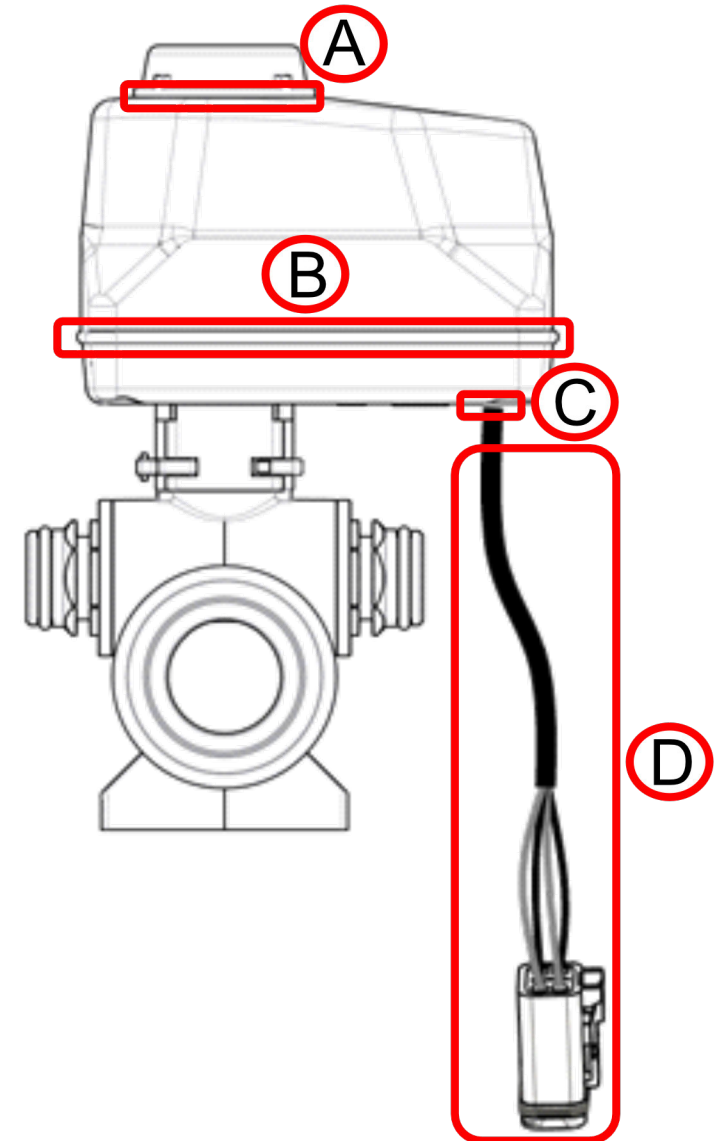


Pressure Washing

Areas to Avoid

EH7 Series Actuators

- Use caution when you pressure wash **KZ Valve EH7 Series** actuators.
- It is possible to force water into the actuator case during pressure washing if the spray stream is focused on the following areas:
 - A. Connection point of the position indicator dome and upper actuator case.
 - B. Seam between the upper actuator case and lower actuator case.
 - C. Where the electrical cable enters the actuator case.
 - D. Electrical cable or electrical connector.



Pressure Washing

Areas to Avoid

EH8 Series Actuators

- Use caution when you pressure wash **KZ Valve EH8 Series** actuators.
- It is possible to force water into the actuator case or damage the electrical cable during pressure washing if the spray stream is focused on the following areas:
 - A. Connection point of the position indicator dome and upper actuator case.
 - B. Seam between the upper actuator case and lower actuator case.
 - C. Where the electrical connector connects to the actuator case.
 - D. Electrical cable or electrical connector.

